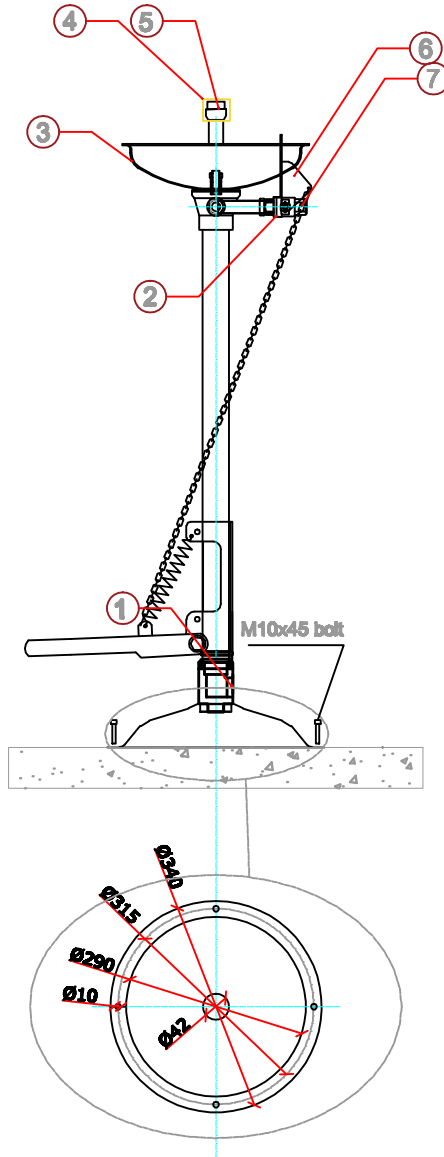


АВАРИЙНЫЙ ДУШ ДЛЯ ГЛАЗ И ЛИЦА
РАСПОЛОЖЕНИЕ НА ПЬЕДЕСТАЛЕ, ПЕДАЛЬНОЕ УПРАВЛЕНИЕ,
НЕРЖАВЕЮЩАЯ СТАЛЬ

15014000



Standarts: EN 15154-2
Water Flow: 11,5 l/ min for Eyewash
Total Weight: 10,75 kgs
Packed Dimensions: 81 x 32 x 22 cm

Static test pressure : 7 bar
Min using pressure : 1,4 bar
Max using pressure : 2,8 bar

NO.	DESCRIPTION	NOTES
7	Water Inlet 1/2"	
6	Push Handle Control for Eyewash	
5	Spray Nozzles	
4	Dust Cover on Eyewash Spray	
3	Eyewash Bowl	
2	1/2" Ball Valve	
1	Water Outlet 1 1/4" (Female)	

		FIRST ISSUE			88 FA ST		CUSTOMER		
		REV. DATE		DESIGNED CHECKED APPROVED					
STATUS FOR INFORMATION <input type="checkbox"/> FOR RFO/DESIGN <input checked="" type="checkbox"/> FOR REVIEW <input type="checkbox"/> FOR APPROVAL <input type="checkbox"/>		DESCRIPTION		ORIGINAL EDITION DESIGNED <input checked="" type="checkbox"/> SB CHECKED <input checked="" type="checkbox"/> FA APPROVED <input checked="" type="checkbox"/> ST		SIZE SCALE A4 1/100		PRODUCT 15014000	
						DRAWING NUMBER/DATE: 412/16-2		SHEET: 1 OF: 1	
						DRAWING NAME: Аварийный фонтан для глаз и лица			