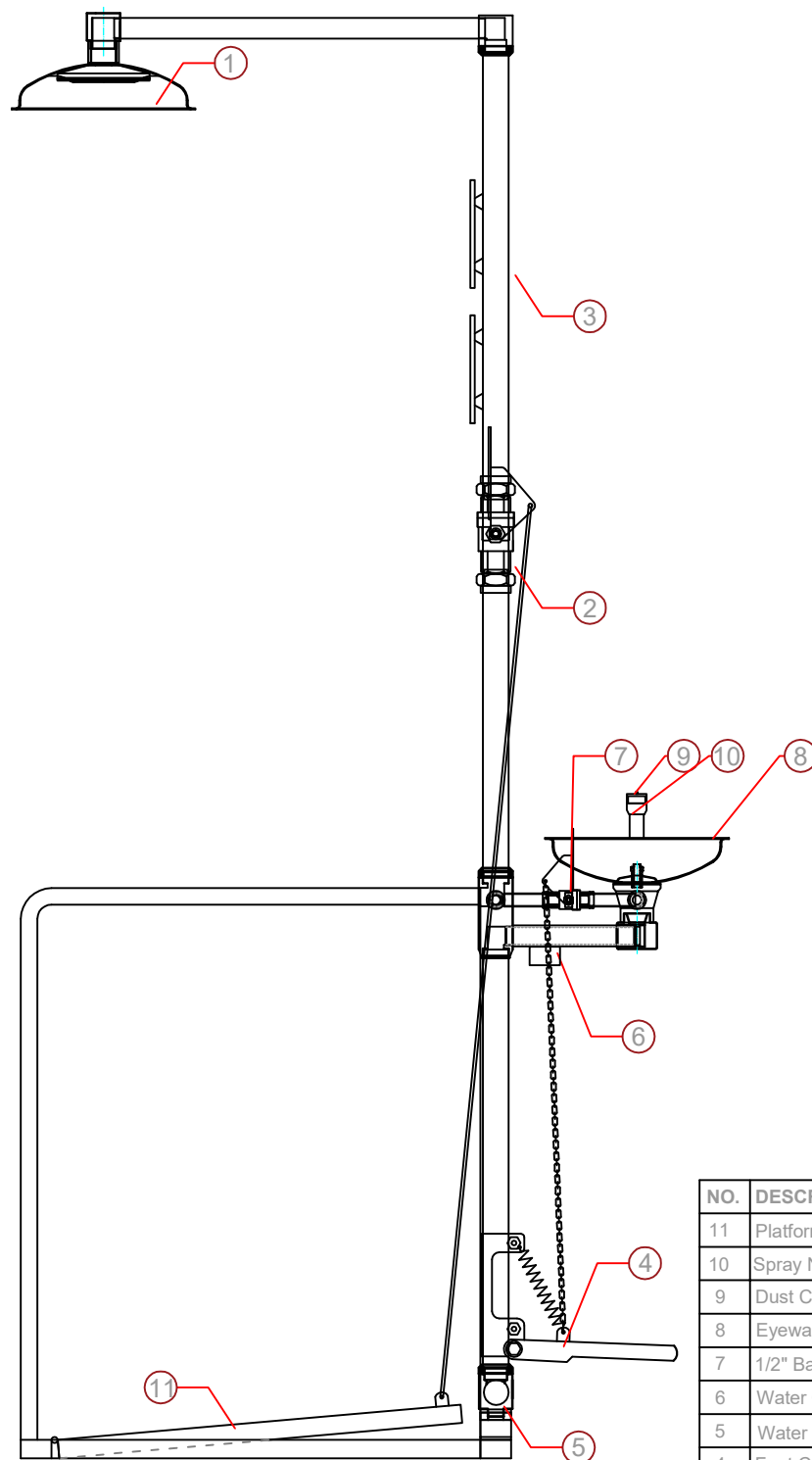


COMBINET UNIT PEDESTAL TYPE WITH PLATFORM



Standarts: EN 15154-1, EN 15154-2
ANSI/ISEA Z358.1-2014
Water Flow: 11,5 lt / min for Eyewash
75 lt / min for Shower

Static test pressure : 7 bar
Min using pressure : 1,4 bar
Max using pressure : 2,8 bar

NO.	DESCRIPTION	NOTES
11	Platform control for Shower	Galvanized Painted Steel
10	Spray Nozzles	Brass
9	Dust Cover on Eyewash Spray	Plastic
8	Eyewash Bowl (Ø300mm)	Galvanized Painted Steel
7	1/2" Ball Valve	Brass
6	Water Outlet 1"	Galvanized Painted Steel
5	Water Inlet 1"	Galvanized Painted Steel
4	Foot Control for Eyewash	Galvanized Painted Steel
3	Pipes	Galvanized Painted Steel
2	1" Ball Valve	Brass
1	Shower head Bowl (Ø300mm)	Galvanized Painted Steel

IST	REV.	DATE	DESCRIPTION	DESIGNED	CHECKED	APPROVED
	A		FIRST ISSUE	SS	FA	ST
STATUS	FOR INFORMATION	<input type="checkbox"/>	FOR RFQ/DESIGN	<input checked="" type="checkbox"/>		
	FOR REVIEW	<input type="checkbox"/>				
	FOR APPROVAL	<input type="checkbox"/>				
				DESIGNED	ORIGINAL EDITION	SIZE
				CHECKED	SS	A4
				APPROVED	FA	SCALE
					ST	1/100

CUSTOMER	
PRODUCT	15035500
DRAWING NUMBER/DATE:	3716/1
SHEET:	1
OF:	1
DRAWING NAME:	Combined Unit, ISTEK Type ESW Pedestal Type With Platform