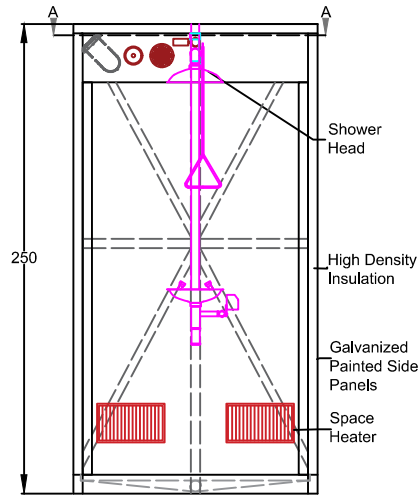
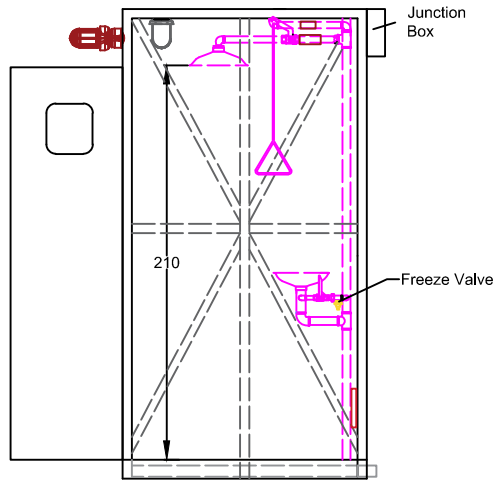


АВАРИЙНАЯ ПОДОГРЕВАЕМАЯ КАБИНА С ЕМКОСТЬЮ

ISTEC Type ESW- CMO-2 (EXPROOF)

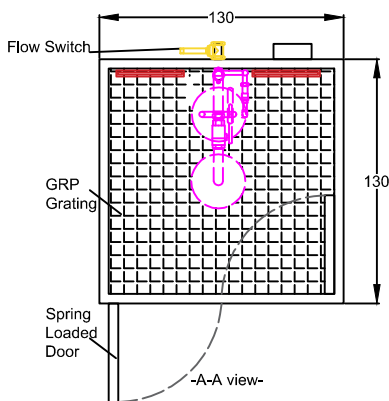


-front view-



-side view-

TOLERANCE: ± 5 CM



-A-A view-

FEATURES

- SIDE PANEL MATERIAL (GALVANIZED PAINTED)
- MAIN FRAME (DKP)
- EYEWASH AND SHOWER (STAINLESS STEEL)
- INSULATION (PIR)
- SPRING LOADED DOOR
- GRP GRATING

ACCESSORIES

- LIGHTING (EXPROOF)
- AUDIBLE AND VISUAL ALARM (EXPROOF)
- FLOW SWITCH (EXPROOF)
- FREEZE VALVE

	<table border="1"> <tr> <td>REV.</td> <td>DATE</td> <td>DESCRIPTION</td> <td>DESIGNED</td> <td>CHECKED</td> <td>APPROVED</td> </tr> <tr> <td>A</td> <td></td> <td>FIRST ISSUE</td> <td>SS</td> <td>FA</td> <td>ST</td> </tr> </table>	REV.	DATE	DESCRIPTION	DESIGNED	CHECKED	APPROVED	A		FIRST ISSUE	SS	FA	ST	CUSTOMER		YAMATA											
	REV.	DATE	DESCRIPTION	DESIGNED	CHECKED	APPROVED																					
A		FIRST ISSUE	SS	FA	ST																						
<table border="1"> <tr> <td>STATUS</td> <td>FOR INFORMATION</td> <td>FOR RFO/DESIGN</td> <td>FOR REVIEW</td> <td>FOR APPROVAL</td> </tr> <tr> <td></td> <td><input type="checkbox"/></td> <td><input checked="" type="checkbox"/></td> <td><input type="checkbox"/></td> <td><input type="checkbox"/></td> </tr> </table>	STATUS	FOR INFORMATION	FOR RFO/DESIGN	FOR REVIEW	FOR APPROVAL		<input type="checkbox"/>	<input checked="" type="checkbox"/>	<input type="checkbox"/>	<input type="checkbox"/>	<table border="1"> <tr> <td>ORIG. EDITION</td> <td>SIZE</td> <td>SCALE</td> </tr> <tr> <td>DESIGNED ✓ SS</td> <td>A4</td> <td>1/100</td> </tr> <tr> <td>CHECKED ✓ FA</td> <td></td> <td></td> </tr> <tr> <td>APPROVED ✓ ST</td> <td></td> <td></td> </tr> </table>	ORIG. EDITION	SIZE	SCALE	DESIGNED ✓ SS	A4	1/100	CHECKED ✓ FA			APPROVED ✓ ST			PRODUCT		15037200	
STATUS	FOR INFORMATION	FOR RFO/DESIGN	FOR REVIEW	FOR APPROVAL																							
	<input type="checkbox"/>	<input checked="" type="checkbox"/>	<input type="checkbox"/>	<input type="checkbox"/>																							
ORIG. EDITION	SIZE	SCALE																									
DESIGNED ✓ SS	A4	1/100																									
CHECKED ✓ FA																											
APPROVED ✓ ST																											
			DRAWING NUMBER/DATE:		SHEET: 1 OF: 1																						
			922/16-1		DRAWING NAME: Аварийная подогреваемая кабина с емкостью																						