

FELEMAMG

m a g n e t i s m



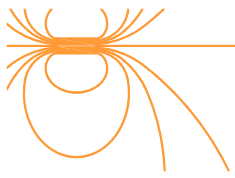
ECCENTRIC EDDY CURRENT SEPARATOR TYPE "SFME-29"

ООО «ТИ-СИСТЕМС» ИНЖИНИРИНГ И ПОСТАВКА ТЕХНОЛОГИЧЕСКОГО ОБОРУДОВАНИЯ **ИНТЕРФОН 280.3-1**

Интернет: www.tisys.ru www.tisys.kz www.tisys.by www.tesec.ru www.ти-системс.рф

Телефоны: +7 (495) 7774788, 7489626, (925) 5007155, 54, 65

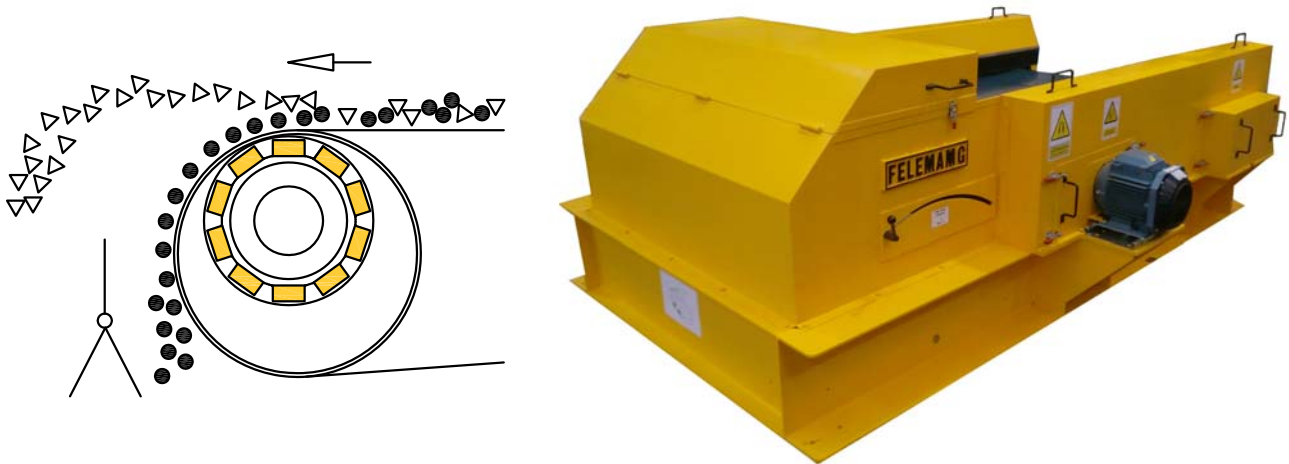
Эл. почта: info@tisys.ru info@tisys.kz info@tisys.by



DESCRIPTION:

The SFME-29 eddy current separator combines the power and extraordinary efficiency of the FELEMAMG's SFM-29 concentric rotor separator.

The large diameter of the rotor, allows assembling magnetic poles of great width, with a magnetic reach that allows the treatment of a large volume of material. The eccentric shell provides effective protection against iron particles entering between the rotor and the conveyor belt. The particles will come off automatically on the bottom of the shell. The service life of the shell is much longer than using a concentric rotor shell.



When an electrical conductive piece is subjected to an alternating magnetic field, electric currents known as Eddy Currents, are induced therein.

These electric currents create a magnetic field that it is repelled by the one that generates them. The value of the Eddy Currents depends on the value of the magnetic field that generates them and their frequency. With sufficiently high values, the electrical conductive pieces are repelled by the generator field with enough force to divert them from the direction that they follow, and therefore remove them from the rest of non-conductive materials.

Number of poles:

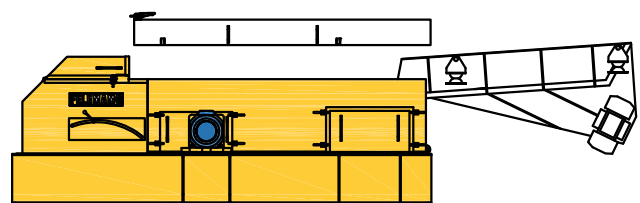
Eddy Current separators are offered with the possibility of magnetic rotors with different numbers of poles (10, 18 or 32 poles)

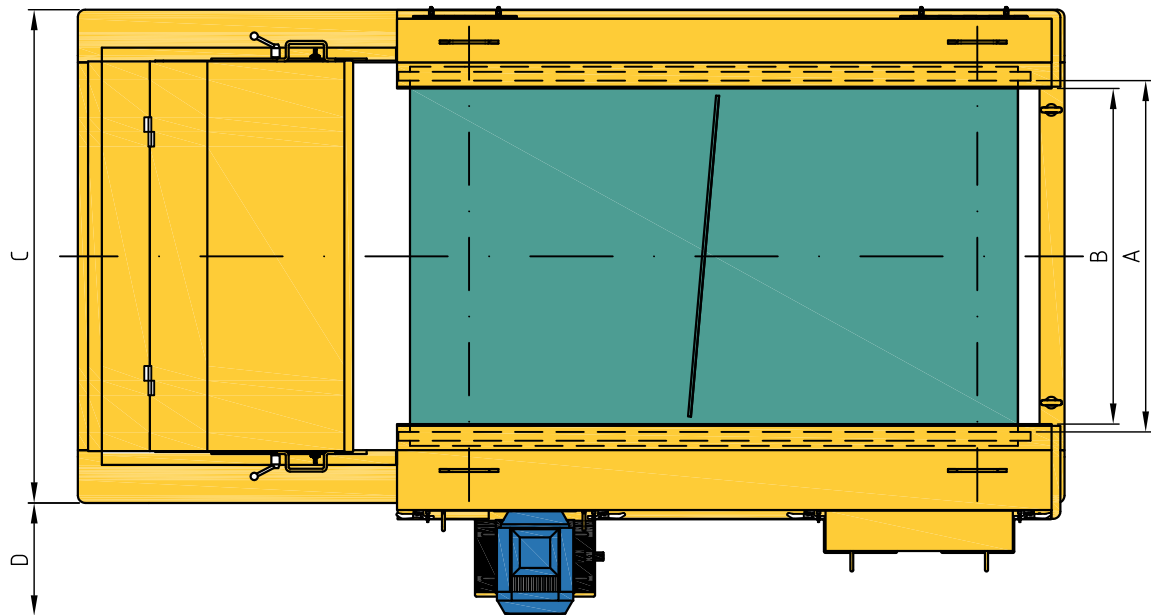
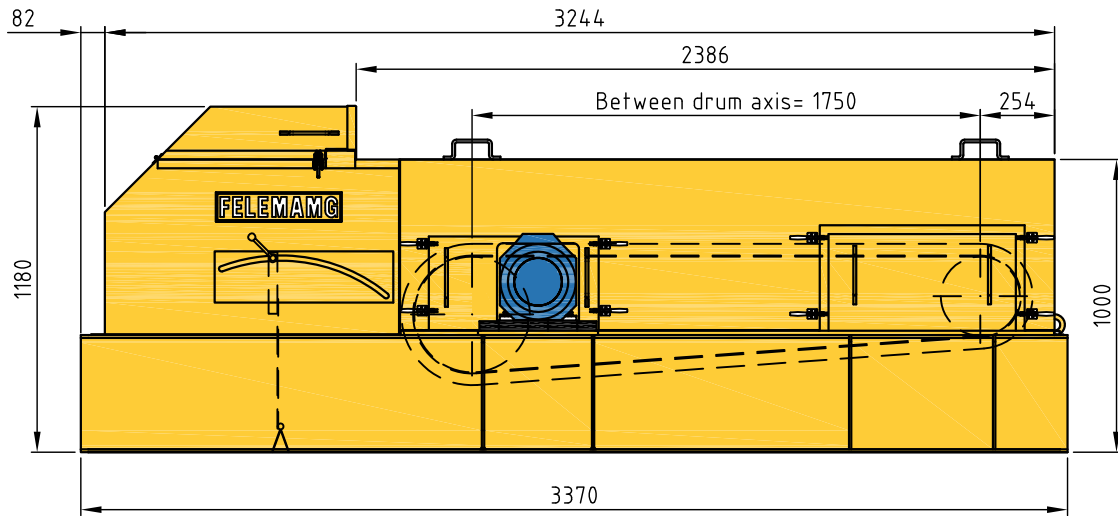
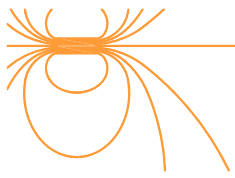
Low number of poles: Rotor with long reach magnetic field.

High number of poles: Rotor with low reach magnetic field.

As an option, it can also be supplied with:

- Product output chutes.
- Upper protections.
- Vibrating feeder.





TYPE	A Belt width mm	Motor powers Kw		Shell Drum diameter mm	Rotor Diameter mm	Max. Rotor speed r.p.m.	Dimensions mm			Aprox. net weight Kg
		Belt	Rotor				B	C	D	
SFME-29/300/..	395	0,37	2,2	395	271	3000	250	785	290	840
SFME-29/400/..	495	0,37	2,2				350	885	290	910
SFME-29/500/..	595	0,55	2,2				450	985	290	980
SFME-29/600/..	695	0,55	3				550	1085	290	1050
SFME-29/700/..	795	0,55	3				650	1185	290	1120
SFME-29/800/..	895	0,75	3				750	1285	320	1200
SFME-29/900/..	995	0,75	4				850	1385	320	1280
SFME-29/1000/..	1095	0,75	4				950	1485	320	1360
SFME-29/1100/..	1195	1,1	4				1050	1585	320	1450
SFME-29/1200/..	1295	1,1	5,5				1150	1685	385	1540
SFME-29/1300/..	1395	1,1	5,5				1250	1785	385	1630
SFME-29/1400/..	1495	1,1	5,5				1350	1885	385	1720

**ELECTROMAGNETIC
DRUM SEPARATORS
SFP-S**



**SELF-CLEANING PERMANENT
MAGNET SEPARATORS
TYPE SF1-RCP**

**WIDE RANGE OF
CIRCULAR
ELECTROMAGNETS FC**

